

CEVNE SPOJKE

TUBE UNIONS

ROHRVERSCHRAUBUNGEN

CEVNE SPOJKE PO ISO ZA VARJENJE

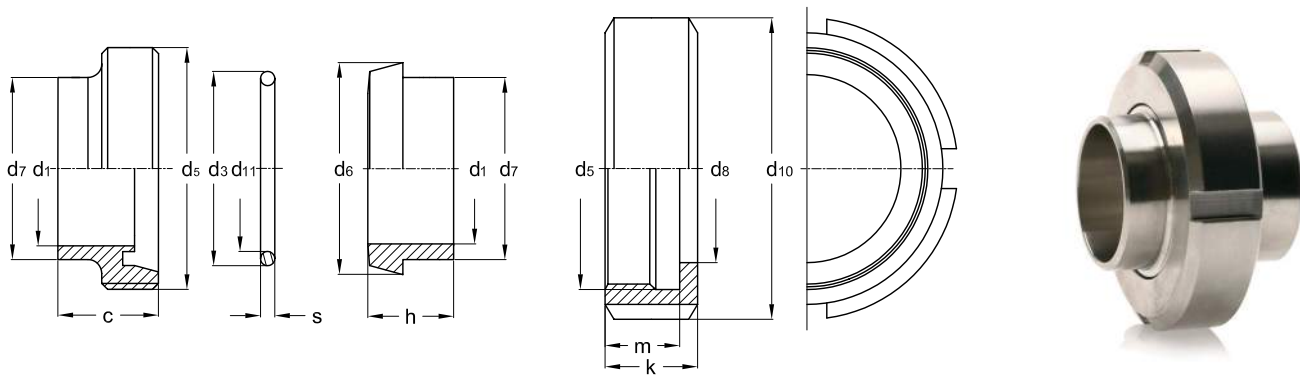
Certifikat: EN 10204/3.1

ISO WELDING UNIONS

Certificate: EN 10204/3.1

ISO ROHRVERSCHRAUBUNG ZUM SCHWEISSEN

WAZ: EN 10204/3.1



Imenska mera Nominal size Nennmas	Dimenzija Dimension Abmessung	Dimenzija / mm Dimension / mm Abmessung / mm											
DN	d ₅	c	d ₁	d ₃	d ₆	d ₇	d ₈	d ₁₀	d ₁₁	h	k	m	s
10	Rd 28x1/8"	21,0	14,0	20,0	22,5	17,2	19,0	38,0	12,0	17,0	18,0	18	4,5
15	Rd 34x1/8"	21,0	18,1	26,0	28,5	21,3	25,0	44,0	18,0	17,0	18,0	15	4,5
20	Rd 44x1/6"	24,0	23,7	33,0	36,5	26,9	31,0	54,0	23,0	18,0	20,0	17	4,5
25	Rd 52x1/6"	29,0	29,7	40,0	44,0	33,7	36,0	63,0	30,0	22,0	21,0	18	5,0
32	Rd 58x1/6"	32,0	38,4	46,0	50,0	42,4	42,0	70,0	36,0	25,0	21,0	18	5,0
40	Rd 65x1/6"	33,0	44,3	52,0	56,0	48,3	49,0	78,0	42,0	26,0	21,0	18	5,0
50	Rd 78x1/6"	35,0	56,3	64,0	68,5	60,3	62,0	92,0	54,0	28,0	22,0	19	5,0
65	Rd 95x1/6"	40,0	71,5	81,0	86,0	76,1	80,0	112,0	71,0	32,0	25,0	21	5,0
80	Rd 110x1/4"	45,0	84,3	88,0	100,0	88,9	94,0	127,0	85,0	37,0	29,0	25	5,0
100	Rd 130x1/4"	54,0	109,1	95,0	121,0	114,3	115,0	148,0	104,0	44,0	31,0	26	6,0
125	Rd 160x1/4"	46,0	134,5	142,0	150,0	139,7	138,0	178,0	130,0	34,0	35,0	30	7,0
150	Rd 190x1/4"	50,0	163,1	167,0	176,0	168,3	164,0	210,0	155,0	37,0	40,0	34	7,0

- 1.4301
1.4305
1.4306
1.4310
1.4401/1.4408
1.4404
1.4435
1.4436
1.4539
1.4541
1.4571
1.4828
1.4841
1.4845
1.4878
1.4410
1.4462
1.4016
1.4713
1.4724
1.4762
1.4006
1.4021
1.4028
1.4034
1.4057
1.4104
1.4112
1.4122

Legenda: / Legend: / Legende:

Na zalogi In stock Auf Lager	Določene pozicije so na zalogi, ostalo po ponudbi Certain positions are in stock, others available upon special offer Bestimmte Posten sind auf Lager, andere auf spezielles Angebot erhältlich	Težje dobavljivo Difficult to deliver Schwierig zu liefern
------------------------------------	---	--

**CEVNE SPOJKE
PO DIN 11851
ZA VARJENJE**

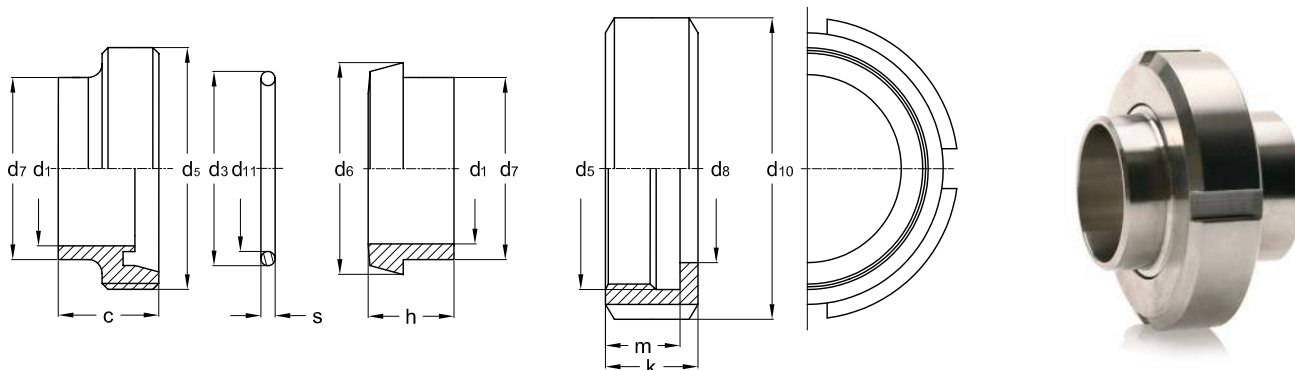
Certifikat: EN 10204/3.1

**TUBE UNIONS
ACCORDING TO DIN 11851
FOR WELDING**

Certificate: EN 10204/3.1

**ROHRVERSCHRAUBUNGEN
GEMÄß DIN 11851 ZUM
SCHWEISSEN**

WAZ: EN 10204/3.1



Imenska mera Nominal size Nennmas	Dimenzija Dimension Abmessung	Dimenzija / mm Dimension / mm Abmessung / mm												
DN	d ₅	c	d ₁	d ₃	d ₆	d ₇	d ₈	d ₁₀	d ₁₁	h	k	m	s	
10	Rd 28x1/8"	21,0	10,0	20,0	22,5	13,0	19,0	38,0	12,0	17,0	18,0	18	4,5	
15	Rd 34x1/8"	21,0	16,0	26,0	28,5	19,0	25,0	44,0	18,0	17,0	18,0	15	4,5	
20	Rd 44x1/6"	24,0	20,0	33,0	36,5	23,0	31,0	54,0	23,0	18,0	20,0	17	4,5	
25	Rd 52x1/6"	29,0	26,0	40,0	44,0	29,0	36,0	63,0	30,0	22,0	21,0	18	5,0	
32	Rd 58x1/6"	32,0	32,0	46,0	50,0	35,0	42,0	70,0	36,0	25,0	21,0	18	5,0	
40	Rd 65x1/6"	33,0	38,0	52,0	56,0	41,0	49,0	78,0	42,0	26,0	21,0	18	5,0	
50	Rd 78x1/6"	35,0	50,0	64,0	68,5	53,0	62,0	92,0	54,0	28,0	22,0	19	5,0	
65	Rd 95x1/6"	40,0	66,0	81,0	86,0	70,0	80,0	112,0	71,0	32,0	25,0	21	5,0	
80	Rd 110x1/4"	45,0	81,0	95,0	100,0	85,0	94,0	127,0	85,0	37,0	29,0	25	5,0	
100	Rd 130x1/4"	54,0	100,0	114,0	121,0	104,0	115,0	148,0	104,0	44,0	31,0	26	6,0	
125	Rd 160x1/4"	46,0	125,0	142,0	150,0	129,0	138,0	178,0	130,0	34,0	35,0	30	7,0	
150	Rd 190x1/4"	50,0	150,0	167,0	176,0	154,0	164,0	210,0	155,0	37,0	40,0	34	7,0	

- 1.4301
- 1.4305
- 1.4306
- 1.4310
- 1.4401/1.4408
- 1.4404
- 1.4435
- 1.4436
- 1.4539
- 1.4541
- 1.4571
- 1.4828
- 1.4841
- 1.4845
- 1.4878
- 1.4410
- 1.4462
- 1.4016
- 1.4713
- 1.4724
- 1.4762
- 1.4006
- 1.4021
- 1.4028
- 1.4034
- 1.4057
- 1.4104
- 1.4112
- 1.4122

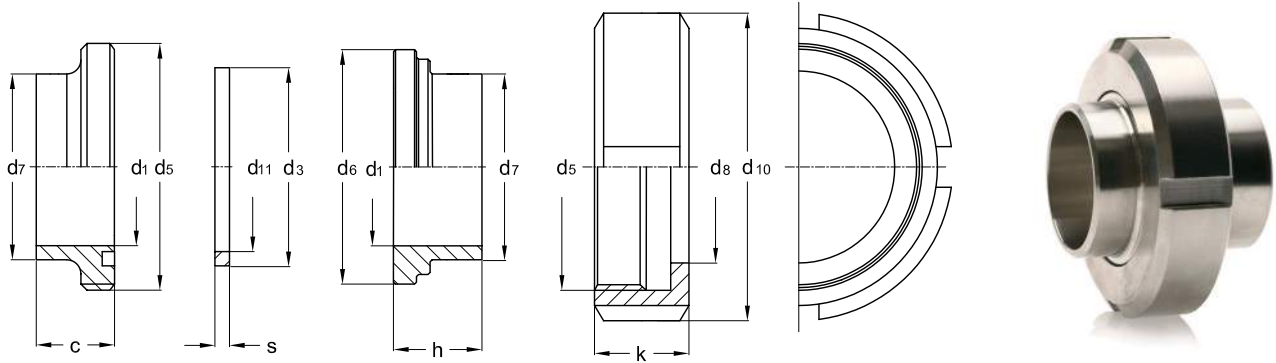
Legenda: / Legend: / Legende:

<p>Na zalogi In stock Auf Lager</p>	<p>Določene pozicije so na zalogi, ostalo po ponudbi Certain positions are in stock, others available upon special offer Bestimmte Posten sind auf Lager, andere auf spezielles Angebot erhältlich</p>	<p>Težje dobavljivo Difficult to deliver Schwierig zu liefern</p>
---	--	---

**CEVNE SPOJKE
PO SMS ZA VARJENJE**
Certifikat: EN 10204/3.1

**TUBE UNIONS
ACCORDING TO SMS
FOR WELDING**
Certificate: EN 10204/3.1

**ROHRVERSCHRAUBUNGEN
GEMÄß SMS ZUM
SCHWEISSEN**
WAZ: EN 10204/3.1



Imenska mera Nominal size Nennmas	Dimenzija Dimension Abmessung	Dimenzija / mm Dimension / mm Abmessung / mm										
SMS	d ₅	c	d ₁	d ₃	d ₆	d ₇	d ₁₀	d ₁₁	h	k	s	
25	Rd 40x1/6"	15,00	22,60	32,00	35,50	25,60	51,00	25,00	7,5	20,00	5,50	
38	Rd 60x1/6"	20,00	35,60	48,00	55,00	38,60	74,00	38,00	9,0	25,00	5,50	
51	Rd 70x1/6"	20,00	47,60	61,00	65,00	51,60	84,00	51,00	9,0	26,00	5,50	
63	Rd 85x1/6"	24,00	60,30	73,50	80,00	64,10	100,00	63,50	9,0	30,00	5,50	
76	Rd 98x1/6"	24,00	72,90	86,00	93,00	76,70	114,00	76,10	10,0	32,00	5,50	
101	Rd 132x1/4"	35,00	97,60	114,00	127,00	102,50	149,50	101,40	12,0	45,00	5,50	

- 1.4301 1.4305 1.4306 1.4310 1.4401/1.4408 1.4404 1.4435 1.4436 1.4539 1.4541 1.4571 1.4828 1.4841 1.4845 1.4878
- 1.4410 1.4462
- 1.4016 1.4713 1.4724 1.4762
- 1.4006 1.4021 1.4028 1.4034 1.4057 1.4104 1.4112 1.4122

Legenda: / Legend: / Legende:

Na zalogi In stock Auf Lager	Določene pozicije so na zalogi, ostalo po ponudbi Certain positions are in stock, others available upon special offer Bestimmte Posten sind auf Lager, andere auf spezielles Angebot erhältlich	Težje dobavljivo Difficult to deliver Schwierig zu liefern
------------------------------------	---	--